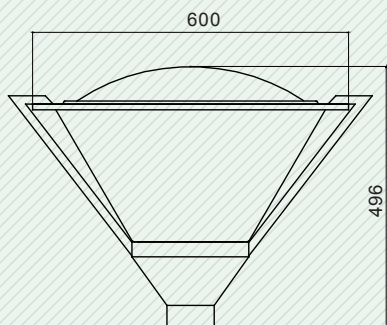


SD15a-G

45W•85W

FEATURES

- Die cast aluminium housing
- Powder coated for corrosion resistance
- Poly carbonate, high durability lens
- POLE – Hot dip galvanised and powder coated



SUPPORTED LAMPS

- 45 watt
- 85 watt



APPLICATIONS

Courtyards, paths, housing estates, parks and gardens etc...



Luminaire No	Lamp No	Wattage (W)	Psu Frequency (Hz)	Input Voltage (V)	Input Current (A)	Ingress Protection
SD15a-G-45W	SD45W-H-G	45W	50/60	240	0.20	IP43(ballast case)
SD15a-G-85W	SD85W-H-G	85W	50/60	240	0.40	IP43(ballast case)

“Creating Energy Saving Solutions for a Sustainable Future”