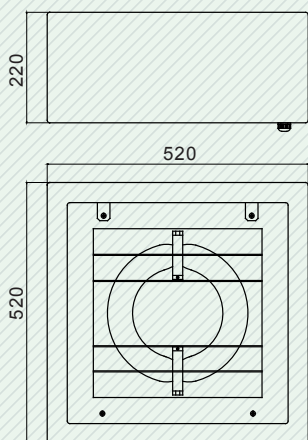


SD17a-G

45W•85W•125W•155W•210W

FEATURES

- Powder coated sheet metal construction
- Tempered glass lens
- Polished aluminium reflector



SUPPORTED LAMPS

- 45 watt round
- 85 watt round
- 125 watt round
- 155 watt round
- 210 watt round



APPLICATIONS

Service station, mines, warehouse, canopies etc...



Luminaire No	Lamp No	Wattage (W)	Psu Frequency (Hz)	Input Voltage (V)	Input Current (A)	Ingress Protection
SD17a-G-45W	SD45W-H-G	45W	50/60	240	0.20	IP43(ballast case)
SD17a-G-85W	SD85W-H-G	85W	50/60	240	0.40	IP43(ballast case)
SD17a-G-125W	SD125W-H-G	125W	50/60	240	0.57	IP43(ballast case)
SD17a-G-155W	SD155W-H-G	155W	50/60	240	0.65	IP43(ballast case)
SD17a-G-210W	SD210W-H-G	210W	50/60	240	0.97	IP43(ballast case)

"Creating Energy Saving Solutions for a Sustainable Future"