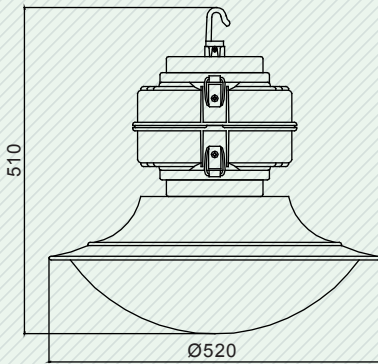


SD3a-G

85W•125W•155W•210W

FEATURES

- Die cast aluminium ballast housing
- Powder coated for corrosion resistance
- High quality aluminium reflector
- Poly carbonate diffuser



SUPPORTED LAMPS

- 85 watt
- 125 watt
- 155 watt
- 210 watt



APPLICATIONS

Warehouses, Food preparation, service stations, factories, supermarket etc...



Luminaire No	Lamp No	Wattage (W)	Psu Frequency (Hz)	Input Voltage (V)	Input Current (A)	Ingress Protection
SD3a-G-85W	SD85W-H-G	85W	50/60	240	0.40	IP43(ballast case)
SD3a-G-125W	SD125W-H-G	125W	50/60	240	0.57	IP43(ballast case)
SD3a-G-155W	SD155W-H-G	155W	50/60	240	0.65	IP43(ballast case)
SD3a-G-210W	SD210W-H-G	210W	50/60	240	0.97	IP43(ballast case)

“Creating Energy Saving Solutions for a Sustainable Future”