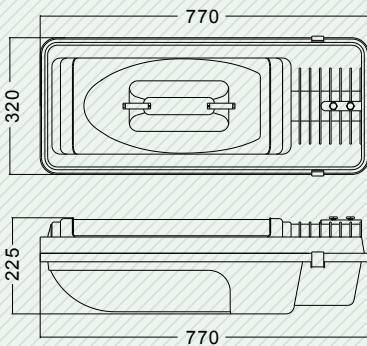


SD-J-LD10

85W•125W•155W

FEATURES

Corrosion resistant aluminium housing
High temperature resistant tempered glass lens
Anodised aluminium reflector



SUPPORTED LAMPS

- 85 watt
- 125 watt
- 155 watt



APPLICATIONS

Street lighting, housing estates, parks and gardens etc...



Luminaire No	Lamp No	Wattage (W)	Psu Frequency (Hz)	Input Voltage (V)	Input Current (A)	Ingress Protection
SD-J-LD10-85W	SD85W-F-G	85W	50/60	240	0.40	IP65(ballast case)
SD-J-LD10-125W	SD125W-F-G	125W	50/60	240	0.57	IP65(ballast case)
SD-J-LD10-155W	SD155W-F-G	155W	50/60	240	0.65	IP65(ballast case)

"Creating Energy Saving Solutions for a Sustainable Future"