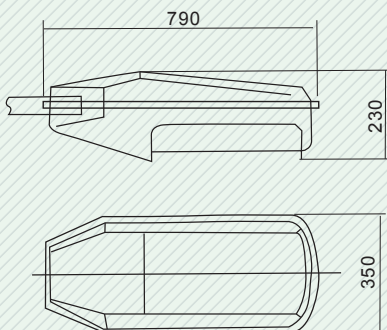


SD-J-LD7

85W•125W•155W

FEATURES

- Corrosion resistant aluminium housing
- High temperature resistant tempered glass lens
- Anodised aluminium reflector



SUPPORTED LAMPS

- 85 watt square
- 125 watt square
- 155 watt square



APPLICATIONS

Street lighting, housing estates, parks and gardens etc...

Luminaire No	Lamp No	Wattage (W)	Psu Frequency (Hz)	Input Voltage (V)	Input Current (A)	Ingress Protection
SD-J-LD7-85W	SD85W-F-G	85W	50/60	240	0.40	IP65(ballast case)
SD-J-LD7-125W	SD125W-F-G	125W	50/60	240	0.57	IP65(ballast case)
SD-J-LD7-155W	SD155W-F-G	155W	50/60	240	0.65	IP65(ballast case)