

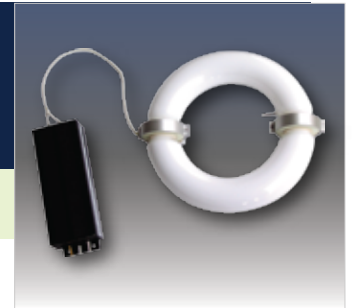
Induction



Round tubular Remote Ballast

Low Frequency Induction Lamp

45W~210W



Technical Specification

S.NO.	Item No.	Power (W)	Frequency (KHz)	Initial Luminous Flux (Lm)	Efficacy (Lm/W)	Lumen Maintenance Rate (60000h)	CRI (Ra)	Color Temperature (K)	Average Lifetime (h)
SDH04-1-45W	SD45W-H-G	45	250	2750-3100	65-75	70%	≥80	2700-6400	100000
SDH04-2-45W	SD45W-H-Z	45		2750-3100	65-75			2700-6400	
SDH08-1-85W	SD85W-H-G	85		5500-6100	70-80			2700-6400	
SDH08-2-85W	SD85W-H-Z	85		5500-6100	70-80			2700-6400	
SDH12-1-125W	SD125W-H-G	125		8000-8900	75-85			2700-6400	
SDH12-2-125W	SD125W-H-Z	125		8000-8900	75-85			2700-6400	
SDH15-1-155W	SD155W-H-G	155		12000-13000	80-85			2700-6400	
SDH15-2-155W	SD155W-H-Z	155		12000-13000	80-85			2700-6400	
SDH21-1-210W	SD210W-H-G	210		16200-17200	80-85			2700-6400	
SDH21-2-210W	SD210W-H-Z	210		16200-17200	80-85			2700-6400	

Remarks:

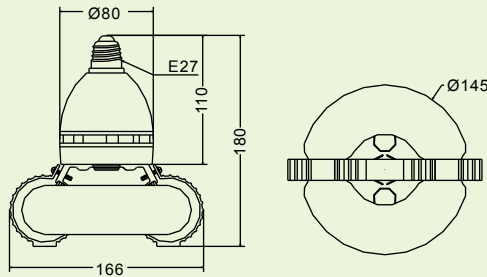
1. Apart from the normal color temperature in above table, special color temperature is available.
2. When ambient temperature is in 0°C~-20°C, it need to support by hermetically sealed luminaire.
3. Special ambient temperature(-20°C~-40°C) is available upon request.

Induction

Electronic Ballast Technical Specification

S.NO.	Item No.	Power (W)	Input Voltage (VAC)	Input Current (A)	Frequency (Hz)	Total Harmonic Distortion (THD)	Power Factor	Input Power (W)	Max case Temperature (°C)
20804101	SD-45-01	45	220 (160-270)	0.22	50-60	≤9%	> 0.95	45.4	< 60
20808101	SD-85-01	85		0.37				85.8	
20812101	SD-125-01	125		0.55				126.2	
20815101	SD-155-01	155		0.85				156.5	
20821101	SD-210-01	210		1.10				212.1	

Remark: ±6% different of input power is allowed.



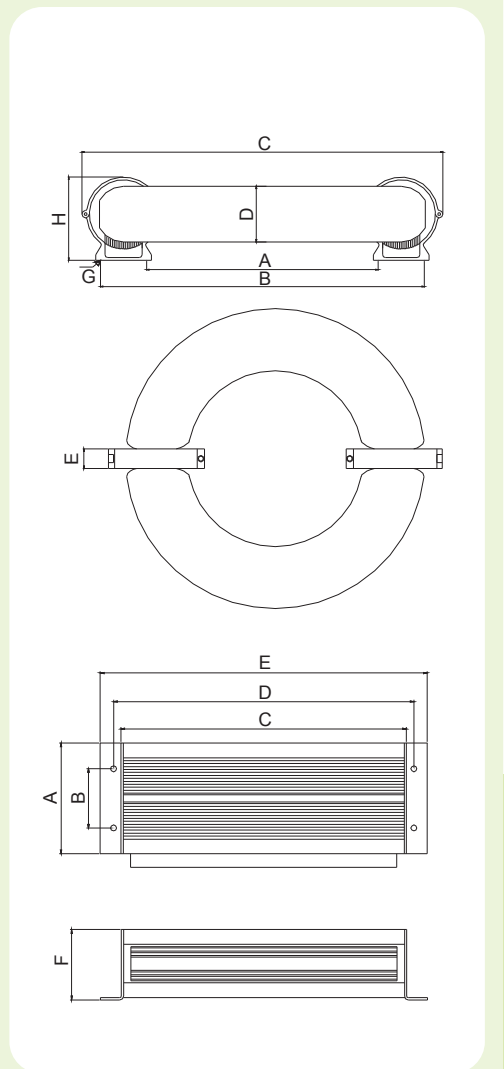
• 45W Self-ballast low frequency induction lamp •

Outer Dimension of the Lamp: (mm)

Type	Mark	45W	85W	125W	155W	210W
Couple wire span	A	40	110	165	190	190
Mounting Holes Span	B	145	205	260	285	295
Lamp length	C	166	242	295	320	337
Lamp Diameter	D	42	54	54	54	58
Bracket Width	E	18	19	19	19	21
Mounting Holes Diameter	F	3	3	3	3	3
Lamp Height	G	70	80	80	80	90

Outer Dimension of the Electronic Ballast: (mm)

S.No.	A	B	C	D	E	F
SD-45-01	76	40	94	105	122	47
SD-85-01	85	40	193	207	223	47
SD-125-01	85	40	193	207	223	47
SD-155-01	85	40	193	207	223	47
SD-210-01	85	40	193	207	223	47



"Creating Energy Saving Solutions for a Sustainable Future"