

Induction



Square Tubular (Remote Ballast)

Low Frequency Induction Lamp

85W~210W



Technical Specification

S.NO.	Item No.	Power (W)	Frequency (KHz)	Initial Luminous Flux (Lm)	Efficacy (Lm/W)	Lumen Maintenance Rate (60000h)	CRI (Ra)	Color Temperature (K)	Average Lifetime (h)
SDF08-1-85W	SD85W-F-G	85	250	5500-6100	70-80	70%	≥80	2700-6400	100000
SDF08-2-85W	SD85W-F-Z	85		5500-6100	70-80			2700-6400	
SDF12-1-125W	SD125W-F-G	125		8000-8900	75-85			2700-6400	
SDF12-2-125W	SD125W-F-Z	125		8000-8900	75-85			2700-6400	
SDF15-1-155W	SD155W-F-G	155		12000-13000	80-85			2700-6400	
SDF15-2-155W	SD155W-F-Z	155		12000-13000	80-85			2700-6400	
SDF21-1-210W	SD210W-F-G	210		16200-17200	80-85			2700-6400	
SDF21-2-210W	SD210W-F-Z	210		16200-17200	80-85			2700-6400	

Remarks:

1. Apart from the normal color temperature in above table, special color temperature is available.
2. When ambient temperature is in 0°C~20°C, it need to support by hermetically sealed luminaire.
3. Special ambient temperature(-20°C~-40°C) is available upon request.

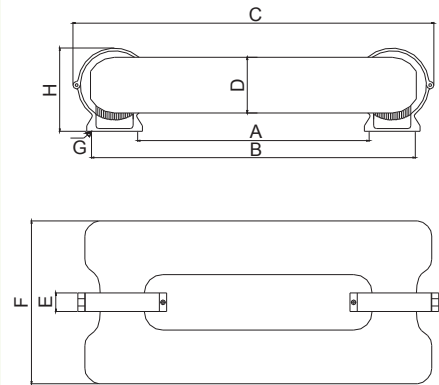
Electronic Ballast Technical Specification

S.NO.	Item No.	Power (W)	Input Voltage (VAC)	Input Current (A)	Frequency (Hz)	Total Harmonic Distortion (THD)	Power Factor	Input Power (W)	Max case Temperature (°C)
20808101	SD-85-01	85	220 (160-270)	0.37	50-60	≤9%	> 0.95	85.8	< 60
20812101	SD-125-01	125		0.55				126.2	
20815101	SD-155-01	155		0.85				156.5	
20821101	SD-210-01	210		1.10				212.1	

Remarks: ±6% different of input power is allowed.

Outer Dimension of the Lamp: (mm)

Type	Mark	85W	125W	155W	210W
Couple wire span	A	172	243	236	280
Mounting Holes Span	B	265	336	330	388
Lamp Length	C	298	368	368	423
Lamp Diameter	D	54	54	55	58
Bracket Width	E	18.5	18.5	19	21
Lamp Width	F	139	139	139	151
Mounting Holes Diameter	G	3.0	3.0	3.0	3.0
Lamp Height	H	81	81	81	91



Outer Dimension of the Electronic Ballast: (mm)

S.No.	A	B	C	D	E	F
SD-85-01	85	40	193	207	223	47
SD-125-01	85	40	193	207	223	47
SD-155-01	85	40	193	207	223	47
SD-210-01	85	40	193	207	223	47

